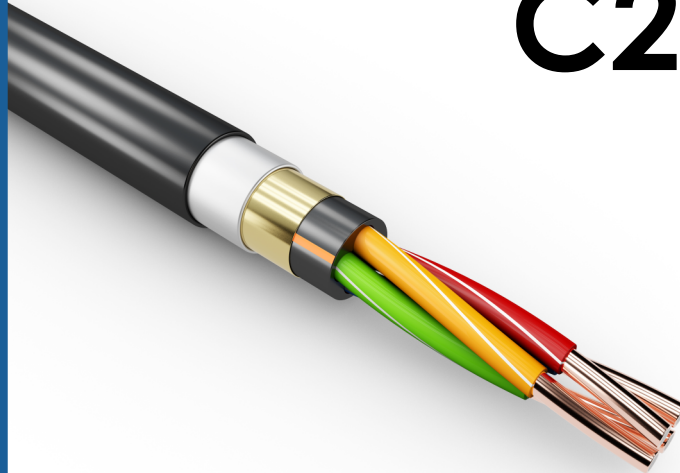




GENVOLT

Multi Conductor Cable

C2183



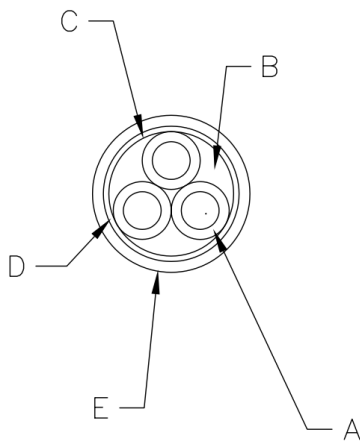
High Voltage
Multi Conductor Cable



C2183

15kV_{DC} / SILICONE DIELECTRIC / 3 CONDUCTOR SHIELDED

CONSTRUCTION



KEY

- A. 3 X #8 AWG, SILICONE INSULATED WIRE TO Ø0.256
- B. FILLER MATERIAL TO Ø0.57
- C. SEMICONDUCTIVE TAPE (.005 THK, HALF-LAPPED)
- D. SHIELD, #34 AWG T.C. 85% COVERAGE
- E. JACKET: NEOPRENE; BLACK .06 THK WALL TO Ø1.505±.025

TECHNICAL INFORMATION

Voltage kV (DC)		15	Voltage kV (AC)		5
Number of Conductors		3	Outside Diameter	Inches	0.730
				cm	1.854
AWG		#8	Impedance	ohms	15
Strands		133/29 TC	Capacitance	pF/ft	125
Insulation		Silicone	Min Bend Radius	Inches	4.00
Semicon Diameter		N/A		Cm	10.16
Dielectric Insulation	Material	Silicone	Min Ambient Temp	°F	-60
	Diameter (in)	0.256		°C	-51
	Diameter (cm)	0.650	Max Conductor Temp	°F	140
Shield	Construction	#34 TC Braid		°C	60
	AWG Equiv	#15	Weight	lb/ft	0.250
	Coverage %	85%		kG/m	0.373
	Semicon	N/A	Jacket Material	PVC	

GLOBAL PRESENCE



UK Office:

Genvolt, New Road, Bridgnorth, Shropshire, WV16 6NN, United Kingdom

Tel: +44 (0) 1746 862 555

Email: info@genvolt.co.uk Website: www.genvolt.com

India Office:

Genvolt India Private Limited

806, Suratwala Mark Plazzo, Hinjewadi Village, Hinjewadi, Pune, Maharashtra - 411057, India

Email: supportindia@genvolt.co.uk Website: www.genvolt.in

Research and Development:

Genvolt Ltd

New road, Bridgnorth, Shropshire, WV16 6NN

Factories:

Genvolt Ltd

New road, Bridgnorth, Shropshire, WV16 6NN

Boher High Voltage Power Supplies Ltd (Genvolt China)

No. 79 Yandangshan Road, Suyu District, Suqian City, Jiangsu, China